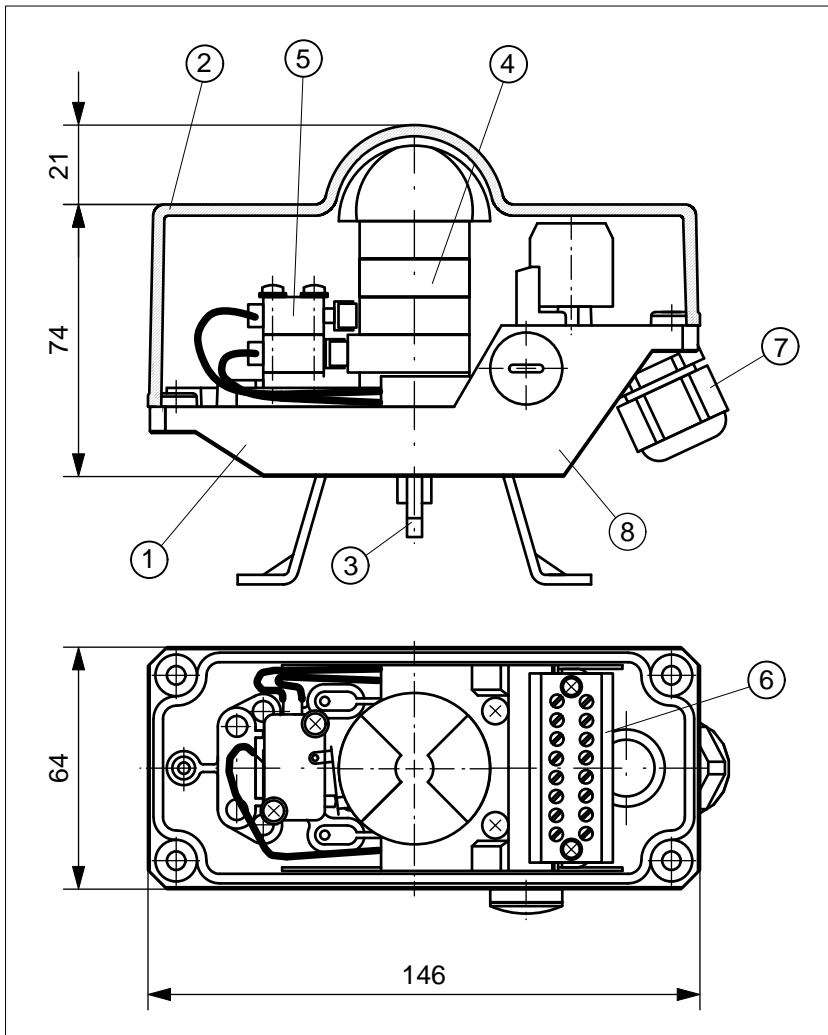




# TCR3MVS5DYAZ

TCR-Module with two micro switches Crouzet 83.161.301  
in TCR-Housing 146 x 64 x 74 mm, with high vision beacon



## TECHNICAL DATA

Manufacturer: Crouzet  
 Type: 83.161.301  
 Micro switch  
 Switching capacity: 4 A, 250 V AC  
 Contacts: Silver-Nickel  
 Economic life-time:  $2 \times 10^7$  switching cycles  
 Temperature: -20 ... +85°C  
 Housing: Vestamid, black  
 Cover: Macrolon, clear  
 Sealing: EPDM  
 Ingress protection: IP65  
 Switching precision: <math><1.5^\circ</math>  
 System connection: Cable gland M20x1,5

## OBJECT LIST

Pos.	Pcs.	Description	Material
1	1	Housing base	Vestamid
2	1	Housing cover	Macrolon
3	1	TCR-Axis	POM
4	1	Switch cam system	POM
5	2	Micro switch	-
6	1	Terminal block, 8-pole	-
7	1	Cable gland M20x1,5	-
8	1	Bracket size 1-4	A2

## WIRING DIAGRAM

