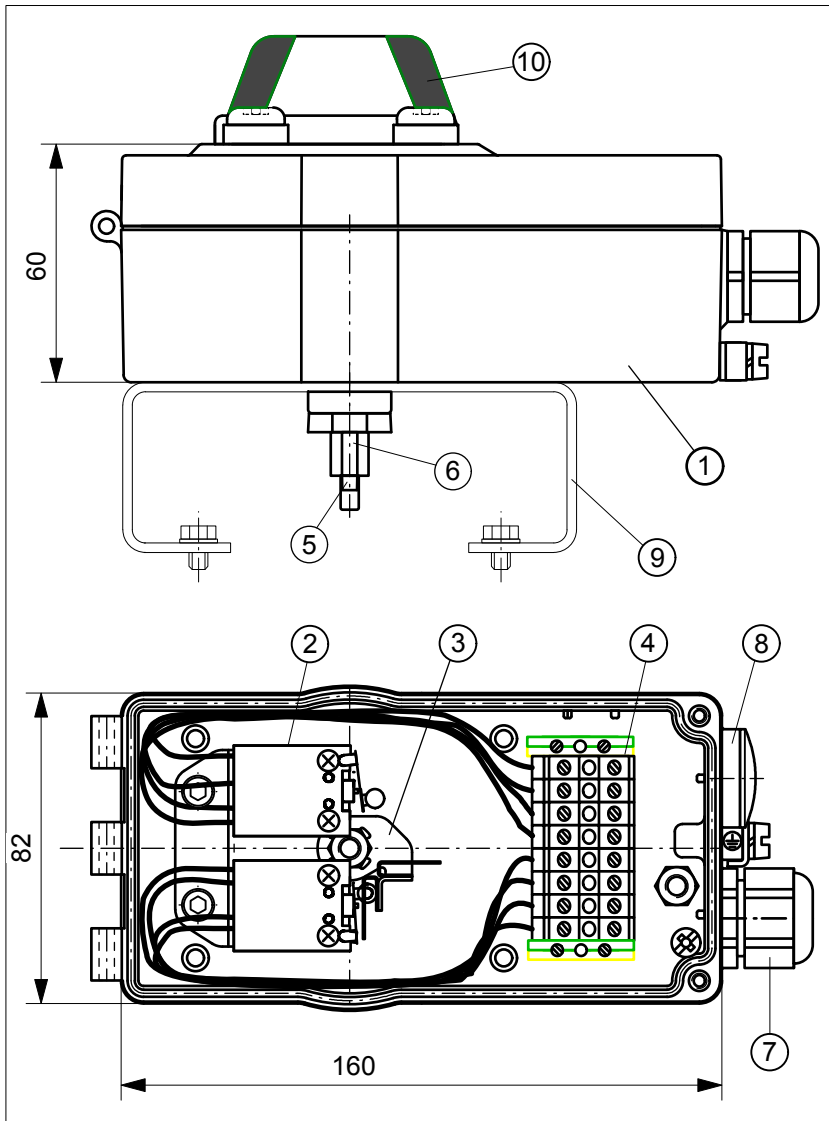


ALB-Module ACR1ASE5DYAZ10

ALB-Module for hazardous area with two micro switches Crouzet 83.139.1 in Aluminium-Housing 160x82x60 mm, with high vision beacon "OPEN / CLOSED"



TECHNICAL DATA

Manufacturer: Crouzet
 Type: 83.139.1
 Mikroschalter
 Switch. power: max. 4 A, 230 V AC
 Contacts: Silver-nickel
 Economic life-time: 5×10^6 switch. cycles
 Temperature range: $-20 \dots +60^\circ\text{C}$
 Housing: Aluminium
 Base silver-grey
 Cover red
 with high vision beacon
 Sealing: EPDM
 Ingress protection: IP65 (Housing)
 Switch. precision: $<0.5^\circ$
 System connection: Cable gland M20x1,5
 Blind plug M20x1,5

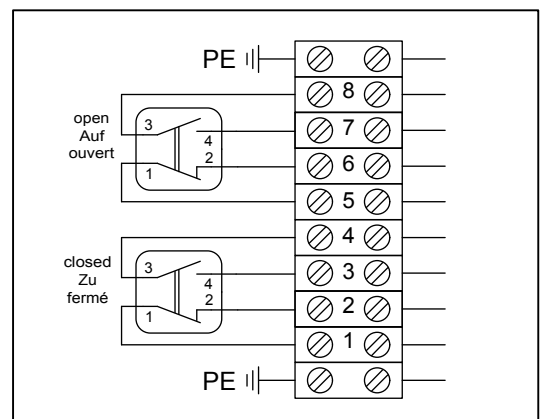


II 2G Ex ed IIC T6 Gb
 II 2D Ex tb d IIC T80°C Db IP65
 PTB 10 ATEX 1061 X

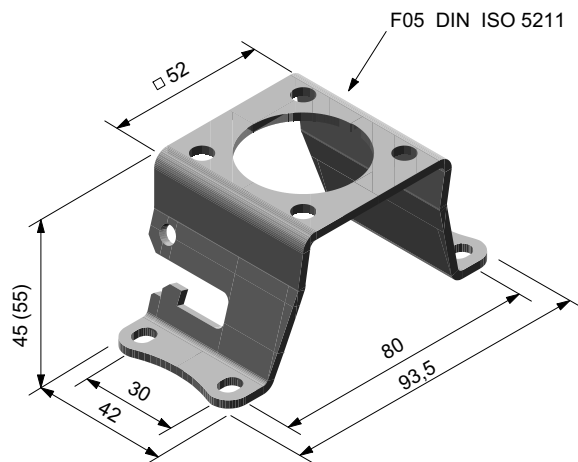
OBJECT LIST

Pos.	Pcs.	Description	Material
1	1	Housing	Aluminium
2	2	Micro switch Ex d IIC T6	-
3	1	Switch flag	Stainless steel
4	1	Terminal block, 10-pole	-
5	1	Axis	Stainless steel
6	1	Position indicator, yellow	PE
7	1	Cable gland M20x1,5	PA
8	1	Blind plug M20x1,5	PA
9	1	Bracket size 1 - 4	Stainless steel
10	1	High vision beacon	-

WIRING DIAGRAM



Brackets for Limit Switch Boxes

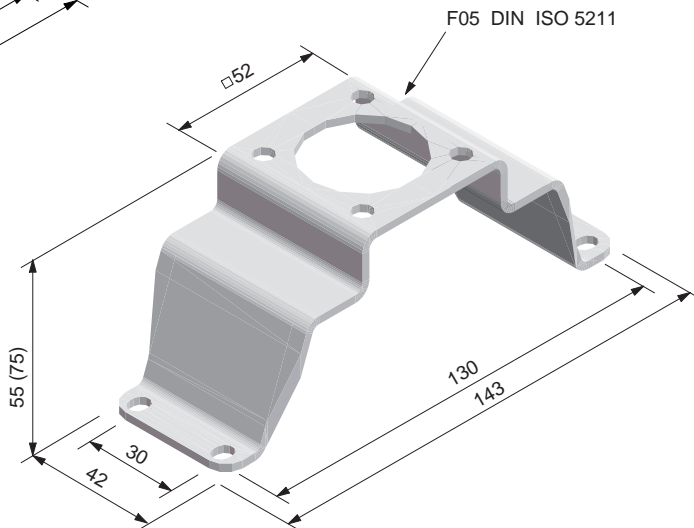


TCR-bracket TK1 (TK2)

Bracket with hand lever interlock suitable for actuators size 1 (size 2) according to VDI/VDE 3845

TCR-bracket TL3 (TL4)

Bracket for actuators size 3 (size 4) according to VDI/VDE 3845



product key

T	Type	T = TCR-Bracket
K	Design	K = short design for size 1 and 2 L = long design for size 1 and 2
1	Size	Connection Interface Shaft height 1 = Size 1: 80x30 20 mm 2 = Size 2: 80x30 30 mm 3 = Size 3: 130x30 30 mm 4 = Size 4: 130x30 50 mm
A1	Mounting kit	A1-4 = Mounting kit bracket size 1-4 4x according to DIN 933 M5x8